



Mechanically and manually operated valves

Individual mounting

Inline

Manifold mounting

sub-base

Function	Port size	Flow (Max)	Individual mounting
3/2 NO-NC, 2/2 NO-NC	G1/8" - G1/4"	180 NI/Min	Inline

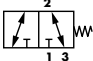
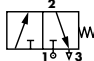
OPERATIONAL BENEFITS

1. Short stroke with high flow.
2. Powerful return spring.



HOW TO ORDER

Reset

Port size	Universal valve	NC only valve
		
G1/8"	1116A- xxx	1166A- xxx
G1/4"	1117A- xxx	1167A- xxx

MECHANICAL OPERATOR >

xxx

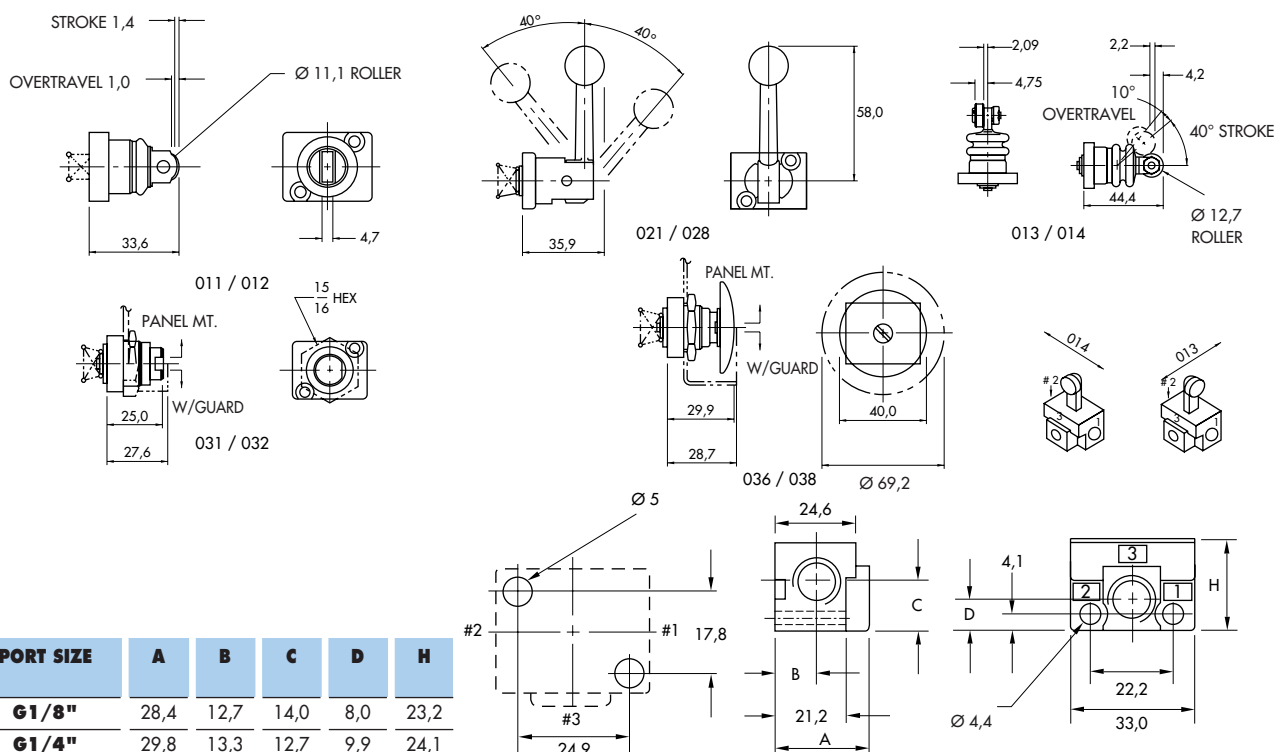
Code	Description	Code	Description	Code	Description
011	Cam roller parallel to ports 1 & 2	023	Lever locking pull perpendicular to ports 1 & 2	031	Push button
012	Cam roller perpendicular to ports 1 & 2	024	Lever non-locking pull perpendicular to ports 1 & 2	032	Push button (panel mounting)
013	Lever cam parallel to ports 1 & 2	025	Lever locking push parallel to ports 1 & 2	033	Push button with guard
014	Lever cam perpendicular to ports 1 & 2	026	Lever non-locking push parallel to ports 1 & 2	036	Palm button
021	Lever locking push perpendicular to ports 1 & 2	027	Lever locking pull parallel to ports 1 & 2	037	Palm button (panel mounting)
022	Lever non-locking push perpendicular to ports 1 & 2	028	Lever non-locking pull parallel to ports 1 & 2	038	Palm button with guard.

**TECHNICAL
DATA**

Fluid :	Compressed air, vacuum, inert gases
Pressure range :	Vacuum to 10 bar
Lubrication :	Not required, if used select a medium aniline point lubricant (between 80°C and 100°C)
Filtration :	40 μ
Temperature range :	-18°C to +50°C
Orifice :	2 mm
Flow (at 6 bar, ΔP=1bar) :	G 1/8" - G1/4" : 180 Nl/min (C _v 0.18)
Leak rate :	50 cm ³ /min

- Spare parts : • Operator : 1100A-XXX (see codification).
- Options : • NPTF threads.

DIMENSIONS



Function	Port size	Flow (Max)	Manifold mounting
3/2 NO-NC, 2/2 NO-NC	G1/8"	140 NI/Min	sub-base

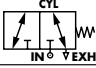
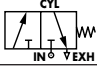
OPERATIONAL BENEFITS

1. Short stroke with high flow.
2. Powerful return spring.



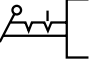
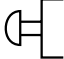
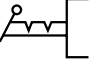
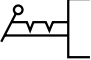
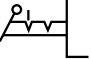
HOW TO ORDER

Reset

Port size	Universal valve	NC only valve
		
Valve less base	1130A- xxx	1170A- xxx
Sub-base G1/8"	1136A- xxx	1176A- xxx

MECHANICAL OPERATOR >

xxx

Code	Description	Code	Description
025	Lever locking push parallel to ports 1 & 2 	031	Push button 
026	Lever non-locking push parallel to ports 1 & 2 	028	Lever non-locking pull parallel to ports 1 & 2 
027	Lever locking pull parallel to ports 1 & 2 		

End plate kit (Port size G1/4") : A2-5004-01P.

**TECHNICAL
DATA**

Fluid :	Compressed air, vacuum, inert gases
Pressure range :	Vacuum to 10 bar
Lubrication :	Not required, if used select a medium aniline point lubricant (between 80°C and 100°C)
Filtration :	40 µ
Temperature range :	-18°C to +50°C
Orifice :	2 mm
Flow (at 6 bar, ΔP=1bar) :	G 1/8" : 140 NI/min (C _v 0.14)
Leak rate :	50 cm ³ /min

Spare parts : • Operator : 1100A-XXX (see codification). • Function plate : A2-7009. • Pressure seal between bases : 16226.
• Tie-rod (x2) : 19546.

Options : • NPTF threads.

DIMENSIONS

